

Outside Air Humidity Sensor

The ASI/RH Series relative humidity transmitters convert a bulk polymer resistance change to a linear 4 to 20mA output. The signal can be transmitted over long distances on unshielded twisted-pair wire as the current signal is not affected by lead wire resistance or electrical noise.

The bulk polymer design eliminates the effects of surface contamination, a problem for other types of sensors. This allows the sensor to maintain its accuracy over a long period of time. Matched diode temperature compensation maintains accuracy over the operating range. AC excitation eliminates sensor polarization. This contributes to the sensor's longer life. Precision production tolerances maintain sensor interchangeability to within +/-3% nominal without recalibration. Despite its accuracy, the bulk polymer sensor and related circuitry is economical. The additional benefits of this technology can be employed for less than many inferior types of sensors.

These units must be powered from a 12 to 36 Vdc supply. The ASI/RH Series humidity transmitters provide long term stability and repeatability in a harsh environment.

These units are offered in Room, Duct, and Outside Air Configurations.

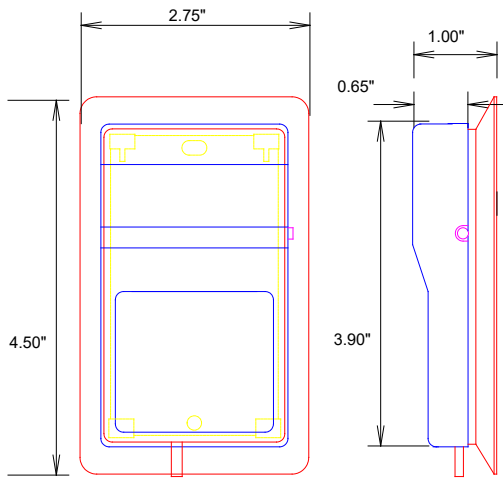
Product Specifications:

Sensor Accuracy:	+/-5%, 10 to 95% RH or +/-3%. 10 to 95% RH or +/-1%. over specified 20% range
Sensitivity:	0.1% RH
Repeatability:	0.5% RH
Long Term Stability:	Less than 1% drift/yr, typical
Sensor Interchangeability:	+/-3% nominal
:	
Sensor Operating Range:	0 to 99 % RH, non-condensing -40 to 170 °F (-40 to 76 °C)
Electronics Operating Range:	0 to 95 % RH, non-condensing -40 to 130 °F (-40 to 54 °C)
Supply Voltage:	12 to 36 VDC
Output:	4 to 20mA, 2 wire

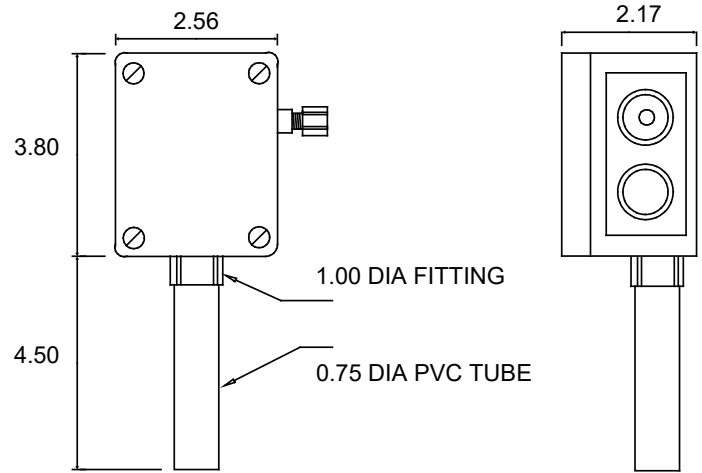
How to Order:	Order Number
Duct Humidity Accuracy = 1%, Accuracy = 3%, Accuracy = 5%	ASI-RH 1 -D ASI-RH 3 -D ASI-RH 5 -D
Room Humidity Accuracy = 1%, Accuracy = 3%, Accuracy = 5%	ASI-RH 1 -R ASI-RH 3 -R ASI-RH 5 -R
Outside Air Humidity Accuracy = 1%, Accuracy = 3%, Accuracy = 5%	ASI-RH 1 -O ASI-RH 3 -O ASI-RH 5 -O

Dimensions

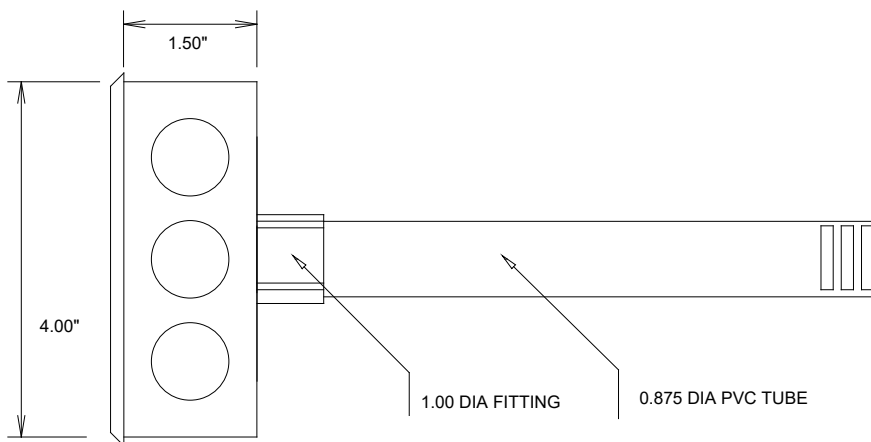
Room RH Sensor



Outside RH Sensor



Duct RH Sensor



Made in USA