



EtherLink Features

- Allows ASI controllers to direct connect to Ethernet
- Enables ASI communications over TCP/IP Networks
- Easy to Configure
- Extends ASI Controls Network Architecture

The EtherLink is a cost effective way to connect your ASI controllers to a new or existing TCP/IP network. It is compatible with corporate LAN/WANs and the Internet. An ASI EtherLink network solution is perfect for educational and corporate campuses as well as remote buildings and retail chain stores with Ethernet connectivity.

The EtherLink connects directly to the RS-232 Modem Port of a SINC/3-3000 Multiport System Interface. Alternately, using a null modem cable, it connects directly to the RS-232 Port of a single ASIC/2-7040 or ASIC/2-8040 controller

The EtherLink is configured with an IP address and other setup parameters using a terminal program such as HyperTerminal. It is then connected to the Local or Wide Area Network and the ASI controller or ASI network. The EtherLink parameters can also be modified over the network using a terminal connection program such as Telnet.

The ASI OPC Server running under Microsoft Windows™ is configured to connect to the EtherLink's IP address. Any OPC Client can request data from the ASI Control network.

ASI ExpertOPC can be connected through the ASI OPC Server to the remote EtherLinked ASI controls to provide full access to all devices on the ASI communication network.

Additionally, the EtherLink can be configured to report notifications to a remote site running ASI's Monitor program.

The EtherLink is small and very easy to configure. It can be fully operational in minutes. It comes with an external wall-mount power supply and user manual.

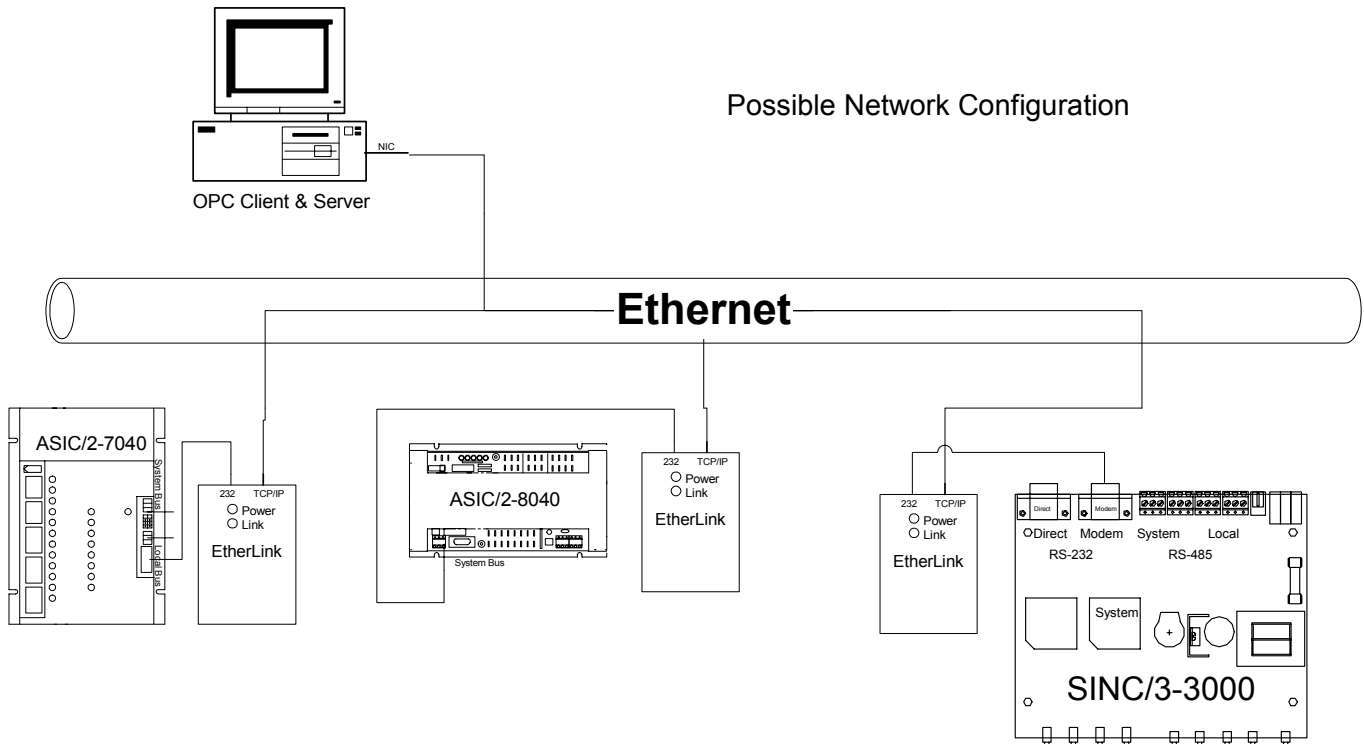
MobileXpert can talk directly to Etherlink and talk to ASI Controllers over Ether Net.





ASI Controls

ASI TCP/IP Interface



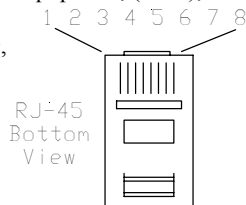
Specifications

Hardware

Processor	68HC000
Ethernet Coprocessor	SMC91C96
Memory RAM:	64 KB with 2 KB NVRAM
EPROM:	256 KB
LED Status:	Power and link integrity
Network Interface	RJ-45 10BASE-T connector IEEE 802.3/Ethernet compliant

RS-232 Terminal Interface

RJ-45 connector , Data Communication Equipment, (DCE);
8-pin plug at 50 to 115,200 baud
Pins 1- DSR, 2- TRS, 3- GND, 4-RXD,
5-TXD, 6- CD, 7-CTS, 8-DTR.



ASI Communications

SINC/3: RS-232 Modem
Connection (DCE)
ASI/2: RS-232 Connection (DTE)
Requires DB-9F to DB-9F Null Modem.

Physical Characteristics

Indication:	2 LEDs
Height:	1.18 inches (30 mm)
Width:	2.62 inches (67 mm)
Depth:	4.94 inches (125 mm)
Weight:	0.4 lb (0.17 kg)

External Power Supply

Style:	Wall-mount
Input:	120 VAC, 60 Hz
Output:	6 VDC, 200 mA, unregulated

Environmental

Temperature:	0 to 50 degrees C operating -10 to 70 degrees C non-operating
Humidity:	10 to 95 percent non-condensing

Agency

Power Supply:	UL listed, CSA approved
EtherLink:	FCC Class A

How to Order:	Order Number
EtherLink	EtherLink

Accessories:	Order Number
ASI OPC Server & Manual	ASI OPC